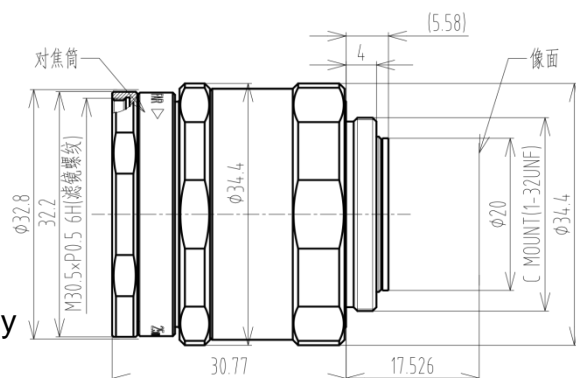


FEATURES

- ◆ Brand: ZLKC
- ◆ 2/3" C-Mount 25mm 5MP
- ◆ Ensures Corner Brightness
- ◆ Low distortion, High resolution
- ◆ Compact, robust design
- ◆ Anti Shock, Vibration Technology


SPECIFICATION

Anti-vibration Lens 25mm C-Mount		Working Distance	Magnification	2/3" Field of View(mm)		
Model	AM2514MP5	mm	-	H	V	
Image Size	2/3-inch	900	0.028X	317.5	237.7	
Focal length	25mm	850	0.029X	299.9	224.5	
F No.	F1.4(customizable 2.8/4/8/14/15/16)	800	0.031X	282.3	211.3	
M.O.D(m)	0.1-Inf.	750	0.033X	264.6	198.1	
Operation	Iris	Fix	700	0.036X	247.0	184.9
	Focus	Manual	650	0.039X	229.4	171.6
Angle of View (DxHxV)	2/3"	24.8°x20.0°x15.0°	600	0.042X	211.8	158.4
	1/2"	18.1°x14.5°x11.1°	550	0.046X	194.1	145.2
Distortion	<0.05%	500	0.050X	176.5	132.0	
BFL	12.25mm	450	0.056X	158.9	118.8	
Mount	C-Mount	400	0.063X	141.2	105.6	
Object Dimension	108.0mmx82.0mm (WD=300mm)	350	0.072X	123.6	92.4	
Dimension	Φ32.8x30.77mm	300	0.084X	108.0	82.0	
Weight	67.9g	250	0.100X	88.3	66.0	
Front / Rear Effective Dia(mm)	Front Φ22.7 Rear Φ12.6	200	0.126X	70.7	52.7	
Filter Thread	M30.5x 0.5	150	0.168X	53.0	39.5	
Working Temperature	-20°C ~ +60°C	100	0.253X	35.3	26.3	