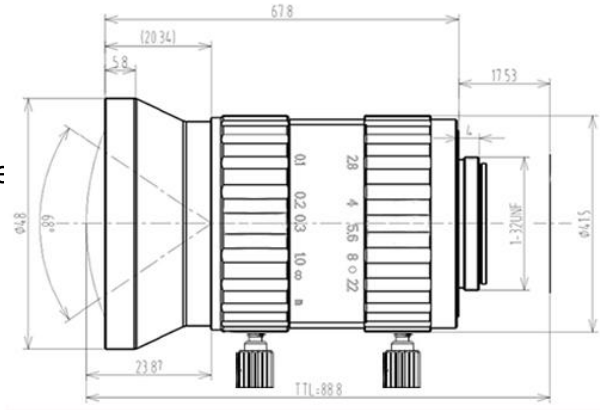


FEATURES

- ◆ Lens Brand: ZLKC
- ◆ 1.1" C-Mount 12mm F2.8 20MP
- ◆ Effectively improve transmittance
- ◆ High contrast, robust design
- ◆ Design for large depth of field
- ◆ TV distortion less than 1%


SPECIFICATION

20MP12mm FA Lens C Mount		Working Distance	Optical Magnification	1.1" Field of View(mm)		
Model	HK1228MP20	mm	X	H	V	
Mage Size	1.1-inch	5000	0.002X	5727.0	4295.3	
Focal length	12mm	2000	0.006X	2307.0	1730.2	
F No.	F2.8-22	1000	0.012X	1166.9	875.2	
M.O.D(m)	0.1-Inf.	900	0.013X	1052.9	789.7	
Operation	Iris	Manual	800	0.015X	938.9	704.2
	Focus	Manual	700	0.017X	824.9	618.5
Angle of View (DxHxV)	1.1"	66.7°x57°x45°	600	0.020X	710.9	533.2
	1"	66.1°x54.8°x42.3°	550	0.022X	653.9	490.4
	2/3"	47.9°x38.9°x29.6°	500	0.024X	596.9	447.7
Distortion	<1%	450	0.026X	539.9	405.0	
BFL	10.6mm	400	0.029X	482.9	362.2	
Mount	C-Mount	350	0.033X	425.9	319.4	
Object Dimension	368.9mmx276.6mm (WD=300mm)	300	0.038X	368.9	276.6	
Dimension	Φ48x67.8mm	250	0.045X	312.0	233.9	
Weight	245.0g	200	0.056X	254.9	191.1	
Filter Thread	—	150	0.072X	197.2	148.4	
Working Temperature	-20°C ~ +60°C	100	0.103X	141.0	105.6	