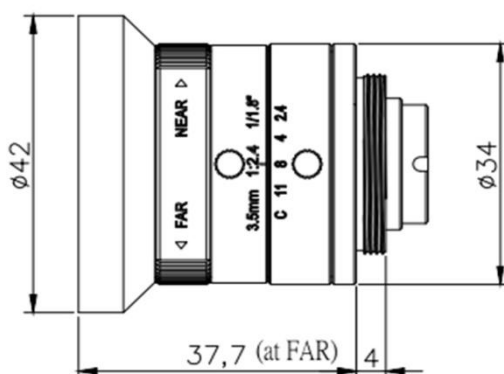


FEATURES

- ◆ Lens Brand: ZLKC
- ◆ 1/1.8" C-Mount 3.5mm F2.4
- ◆ Can suppress stray light
- ◆ Low distortion, high contrast
- ◆ Required for high accuracy


SPECIFICATION
2MP 3.5mm wide angle FA Lens C Mount

Model	HM035MP2	
Image Size	1/1.8-inch	
Focal length	3.5mm	
F No.	F2.4-C	
M.O.D(m)	0.1-Inf.	
Operation	Iris	Manual
	Focus	Manual
Angle of View (DxHxV)	1/1.8"	104.5°x94.3°x78.0°
	1/2"	99.6°x87.9°x71.1°
	1/3"	84.2°x71.1°x55.6°
Distortion	-1.23%	
BFL	8.57mm	
Mount	C-Mount	
Object Dimension	1/1.8"	350.5mmx261.3mm(WD=150mm)
	1/2"	312mmx230.5mm(WD=150mm)
	1/3"	230.5mmx170mm(WD=150mm)
Dimension	$\Phi 42 \times 37.7$ mm	
Weight	130g	
Horizontal Resolution	100lp/mm	
Filter Thread	M40.5*0.5	
Working Temperature	-20°C ~ +70°C	