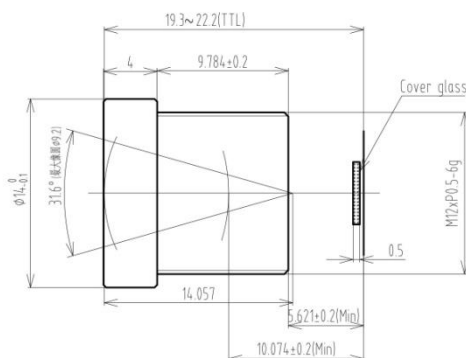


**FEATURES**

- ◆ Lens Brand: ZLKC
- ◆ 1/1.8" M12-Mount 16mm 5MP
- ◆ Shorter Working Distance
- ◆ High resolution, low distortion
- ◆ Compact & Lightweight


**SPECIFICATION**

5MP 16mm low distortion lens M12 Mount		Working Distance	Optical Magnification	1/1.8" Field of View(mm)		
Model	<b>MTV16MP5C</b>	mm	-	H	V	
Image Size	1/1.8-inch	850	0.019X	375.7	281.7	
Focal length	<b>16mm</b>	800	0.020X	353.3	264.9	
F No.	F2.8	750	0.022X	330.8	248.1	
M.O.D(m)	0.1-Inf.	700	0.023X	308.4	231.3	
Operation	Iris	Fix	650	0.025X	286.0	214.5
	Focus	Manual	600	0.027X	263.6	197.7
Angle of View (D×H×V)	1/1.8"	30.5°×24.6°×18.6°	550	0.030X	241.2	180.9
	1/3"	20.6°×17.3°×12.5°	500	0.033X	218.8	164.1
Distortion	<0.1%	450	0.037X	196.3	147.3	
BFL	10.07mm	400	0.042X	173.9	130.4	
Mount	M12XP0.5	350	0.048X	151.5	113.6	
Object Dimension(mm)	129.1×96.8 (WD=300mm)	300	0.056X	129.1	96.8	
Resolution	5MP	250	0.068X	106.6	80	
Dimension	Φ14×9.79mm	200	0.086X	84.2	63.2	
Weight	6.3g	150	0.117X	61.8	46.3	
Working Temperature	-20°C ~ +60°C	100	0.184X	39.3	29.5	