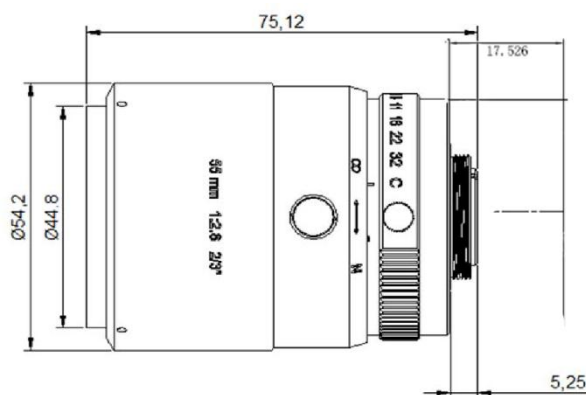


# 2/3" Marco Lens C Mount

## TM5528MP5

### FEATURES

- ◆ Lens Brand: ZLKC
- ◆ 2/3"C-Mount 55mm F2.8
- ◆ Compatible with  $\phi$  11mm Sensor
- ◆ Excellent image uniformity
- ◆ Low distortion, High resolution
- ◆ High relative illumination
- ◆ camera and linear array camera



### SPECIFICATION

Model	<b>TM5528MP5</b>	
Image Size	2/3-inch	
Focal length	<b>55mm</b>	
F No.	F2.8-C	
M.O.D(m)	0.12-Inf.	
Operation	Iris	Manual
	Focus	Manual
Horizontal Angle of View	2/3" Type	11.6°×9.3°×6.9°
	1/2"Type	8.5°×6.8°×5.0°
	1/3"Type	6.4°×5.1°×3.8°
Distortion	4.2%@y=5.5 mm;0.16%@y=3.0 mm	
Back focal length	13.21mm	
Mount	C-Mount	
2/3"FOV	17.2×12.8mm (WD=120mm)	
Dimension	Φ54.2x75.12mm	
Weight	337.0g	
Horizontal Resolution	200lp/mm	
Filter Thread	M43x 0.75mm	
Working Temperature	-20°C ~ +60°C	