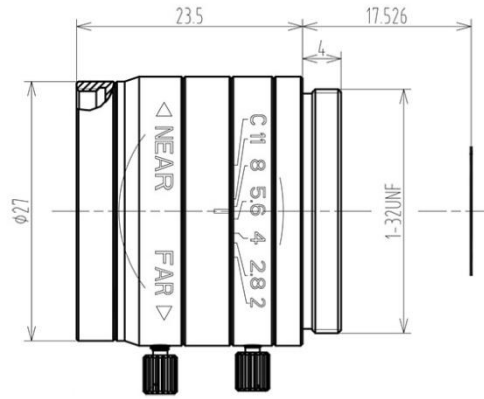


FEATURES

- ◆ Lens Brand: ZLKC
- ◆ 1/1.8" C-Mount 25mm F2.0 5MP
- ◆ Can suppress stray light
- ◆ High resolution, low distortion
- ◆ Small volume & Lightweight


SPECIFICATION

5MP 25mm Manual Iris Lens C Mount		Working Distance	Optical Magnification	1/1.8" Field of View (mm)	
Model	VM2520MP5	mm	-	H	V
Image Size	1/1.8-inch	900	0.028X	254.4	190.8
Focal length	25mm	850	0.030X	240.1	180.1
F No.	F2.0-C	800	0.032X	225.7	169.3
M.O.D(m)	0.1-Inf.	750	0.034X	211.4	158.5
Operation	Iris	Manual	700	0.036X	197
	Focus	Manual	650	0.039X	182.6
Horizontal Angle of View (D×H×V)	1/1.8"	19.0°×13.6°×11.3°	600	0.043X	168.3
	1/2.5"	16.2°×13.4°×10.3°	550	0.047X	153.9
	1/3"	13.8°×11.4°×8.8°	500	0.051X	139.6
Distortion	<0.1%	450	0.057X	125.2	93.9
BFL	13.7mm	400	0.065X	110.8	83.1
Mount	C-Mount	350	0.074X	96.5	72.3
Object Dimension	82.1mm×61.6mm (WD=300mm)	300	0.088X	82.1	61.6
Dimension	Φ26.8×23mm	250	0.106X	67.7	50.8
Weight	31.0g	200	0.135X	53.3	40
Filter Thread	M25.5x 0.5	150	0.186X	38.9	29.2
Working Temperature	-20°C ~ +60°C	100	0.296X	24.4	18.3